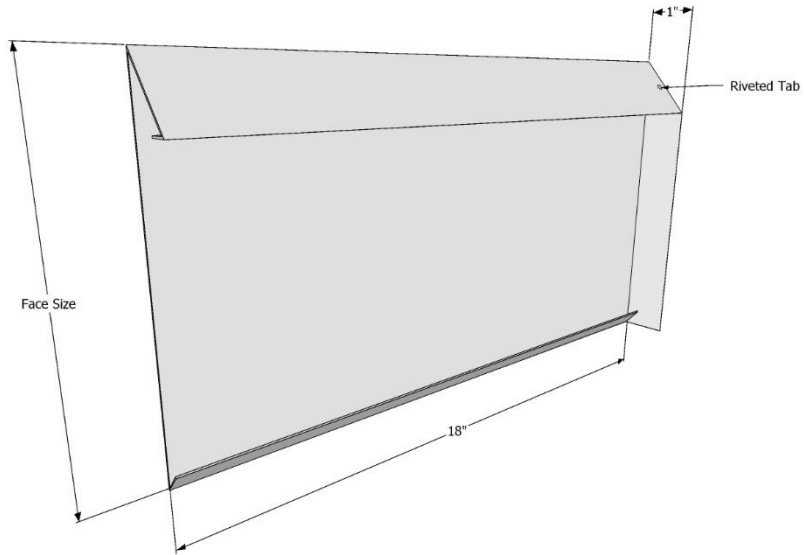
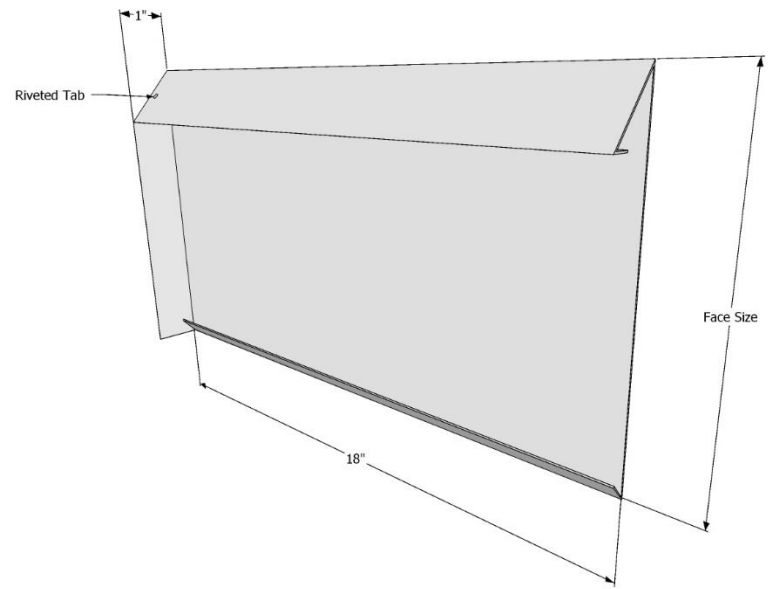


AFAB BAR EDGE GUARD END CAPS  
 FASCIA: AVAILABLE IN 24GA/22GA STEEL OR 040/050 ALUMINUM  
 CLEAT: .090 EXTRUDED ALUMINUM  
 ANSI/SPRI/FM 4435/ES-1 COMPLIANT

LEFT END CAP



RIGHT END CAP



COMPANY: \_\_\_\_\_

MATERIAL/GAUGE: \_\_\_\_\_

JOB NAME: \_\_\_\_\_

COLOR: \_\_\_\_\_

# of LEFTS: \_\_\_\_\_ # of RIGHTS: \_\_\_\_\_

MANUFACTURER: \_\_\_\_\_

Face Size: (Circle One) (5 1/2") (7") (8 1/2")

