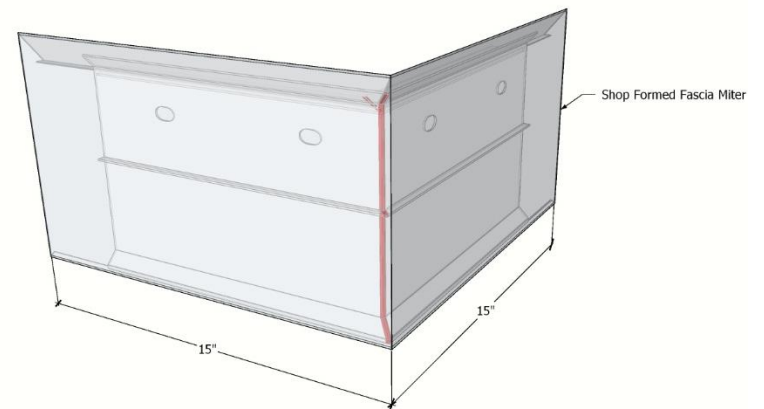
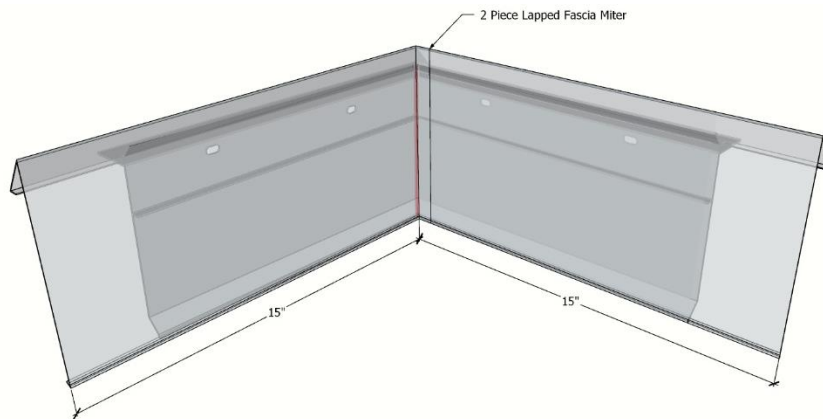
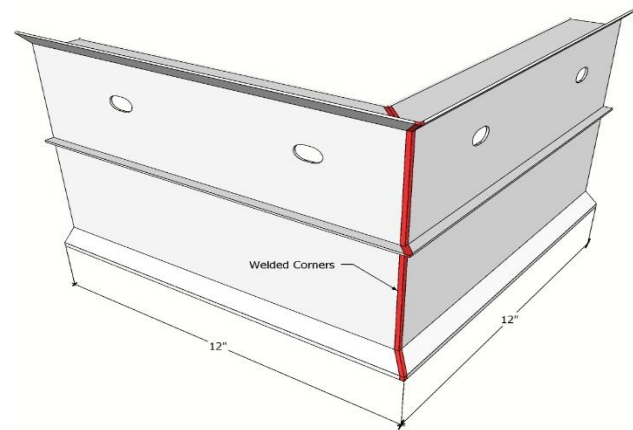
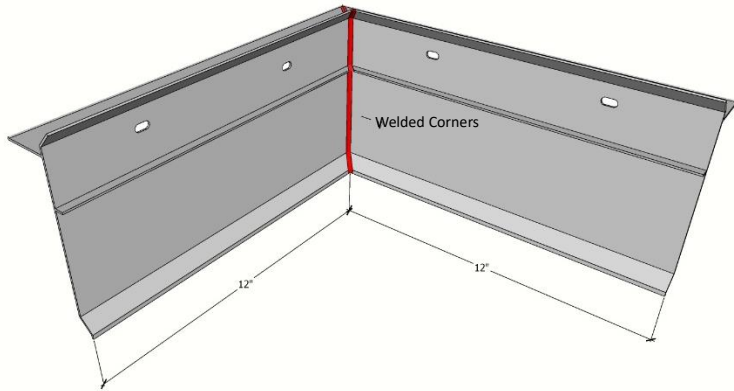


AFAB BAR EDGE GUARD MITERS
 FASCIA: AVAILABLE IN 24GA/22GA STEEL OR 040/050 ALUMINUM
 CLEAT: .090 EXTRUDED ALUMINUM
 ANSI/SPRI/FM 4435/ES-1 COMPLIANT



COMPANY: _____

MATERIAL/GAUGE: _____

JOB NAME: _____

COLOR: _____

of ISC: _____ # of OSC: _____

MANUFACTURER: _____

Face Size: (Circle One) (5 1/2") (7") (8 1/2")

