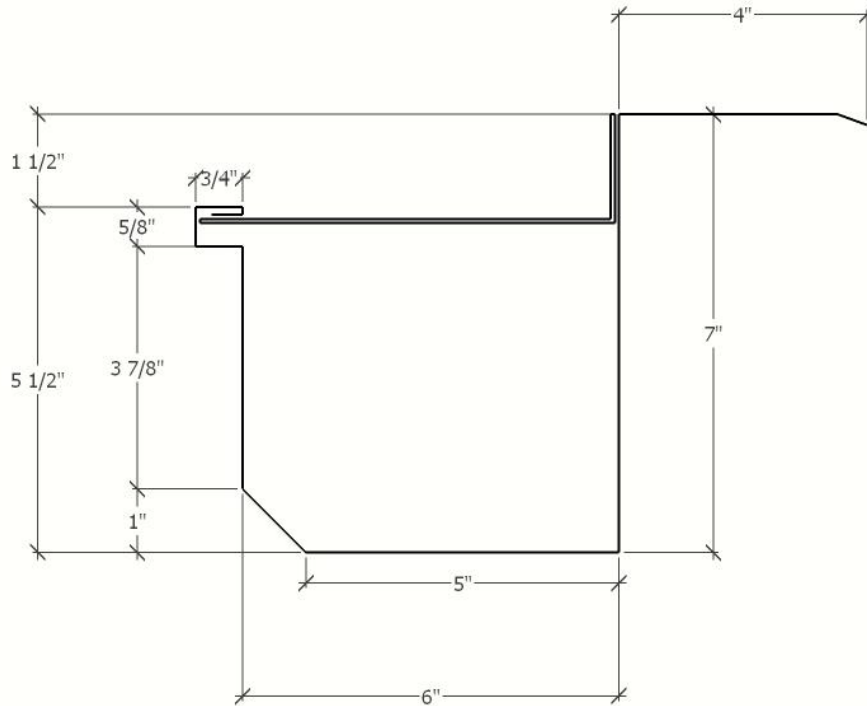


Custom Box Gutter



Customer: _____

Job Name: _____

Material/Gauge: _____

End Caps: Right _____ Left _____

Manufacturer: _____

Color: _____

Lineal Feet: _____

Joint Splices: Y or N – 14ga Stays @ 2ft O.C.

Applied Fabricators Inc.
9325 Uptown Dr. Suite 500
Indianapolis, IN 46256
Phone: 317-284-0685
Fax: 317-284-0688