

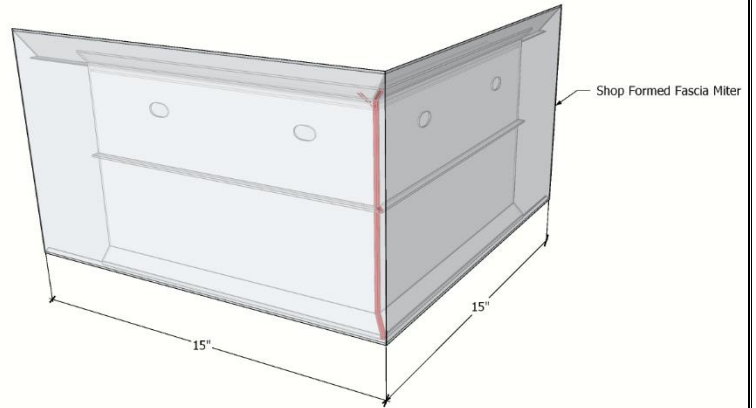
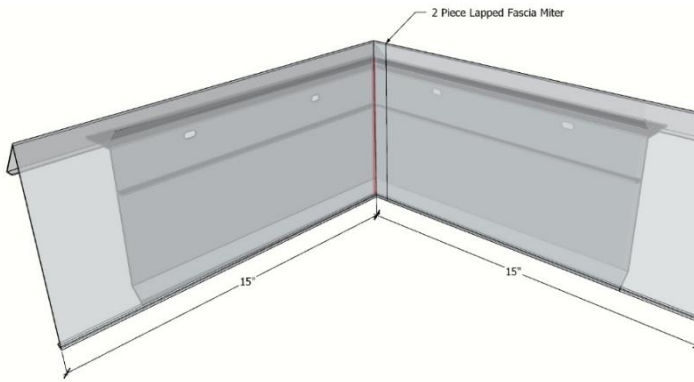
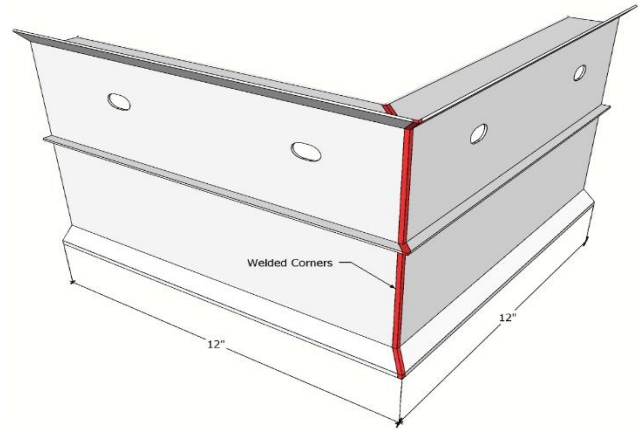
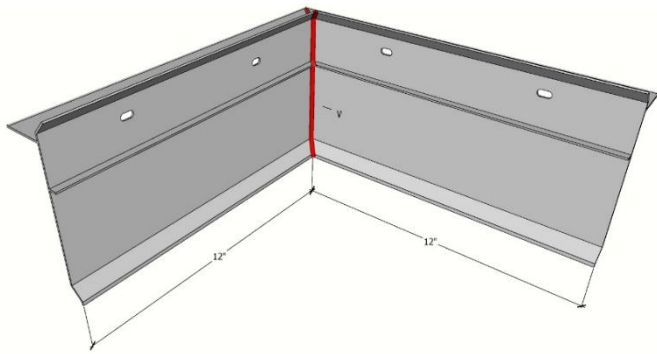


AFAB Bar Edge Guard Miters

Fascia: Available in 24ga/22ga Steel or
.032/.040 Aluminum

Cleat: .090 Extruded Aluminum

ANSI/SPRI/FM 4435/ES-1 Compliant



Company: _____

Material/Gauge: _____

Job Name: _____

Color: _____

of ISC: _____ # of OSC: _____

Manufacturer: _____

Face Size (Circle One) 5 1/2" | 7" | 8 1/2"

7185 W 200 N Greenfield, IN 46140 | Phone: 317-284-0685 | Fax: 317-284-0688