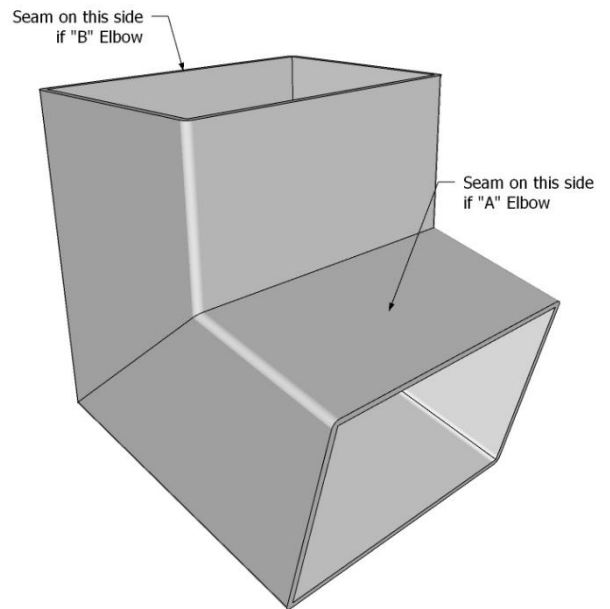
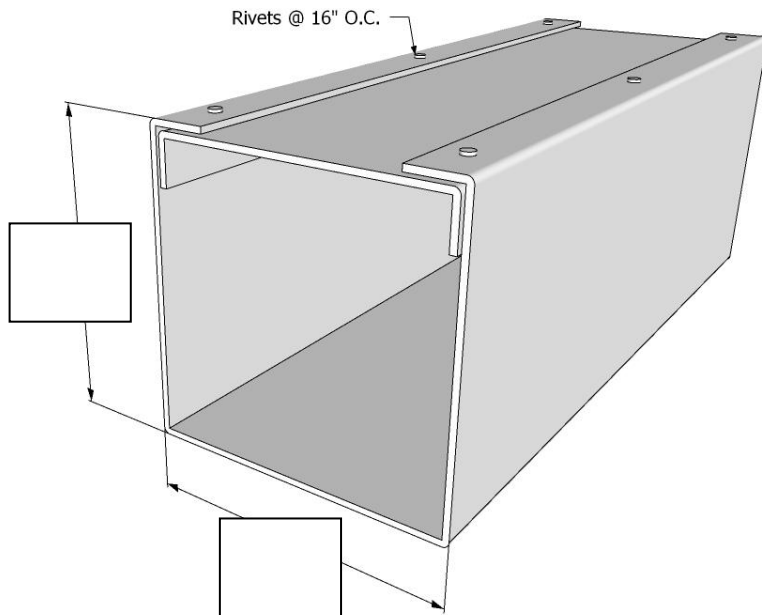




Riveted Downspout



Customer : _____

Job Name : _____

Material : _____

Lineal Feet of Strap : _____

Color : _____

Tapered : Yes or No

Manufacturer : _____

Elbows : "A" _____ "B" _____

Lineal Feet : _____

Outlet Tubes : _____