

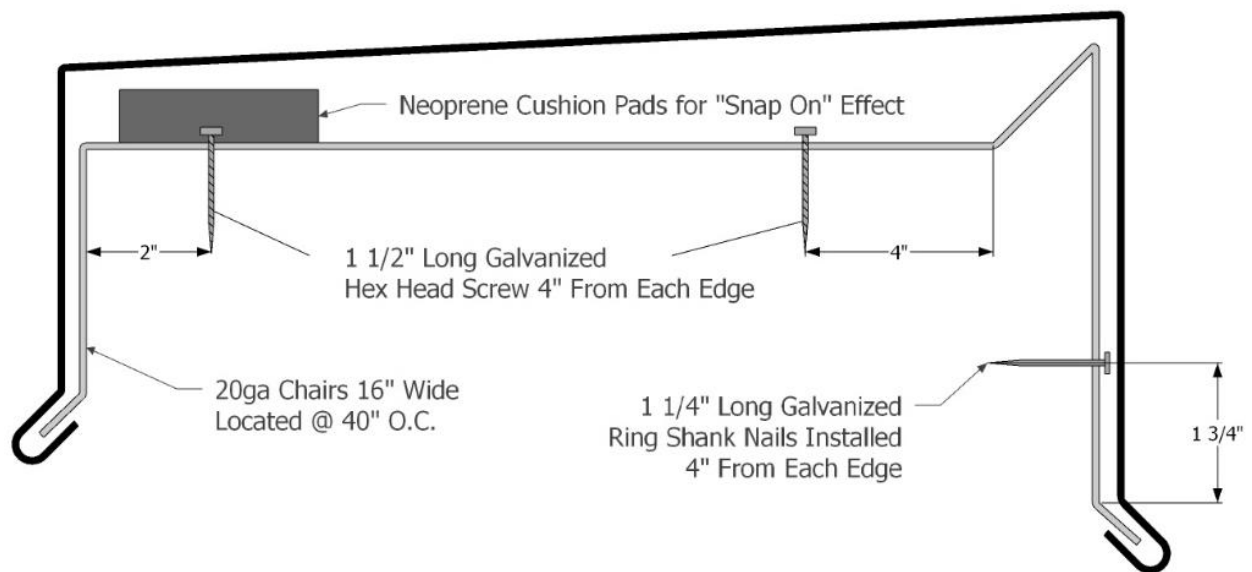
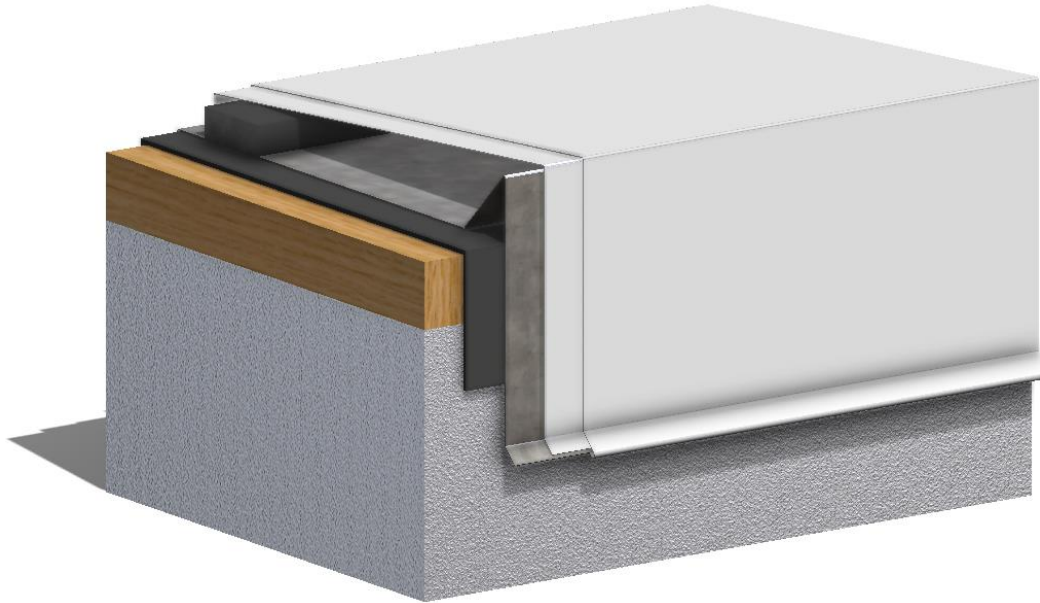


Snap On Coping with Chairs

Coping Available in 24ga/22ga Steel or 032/040/050/063 Aluminum

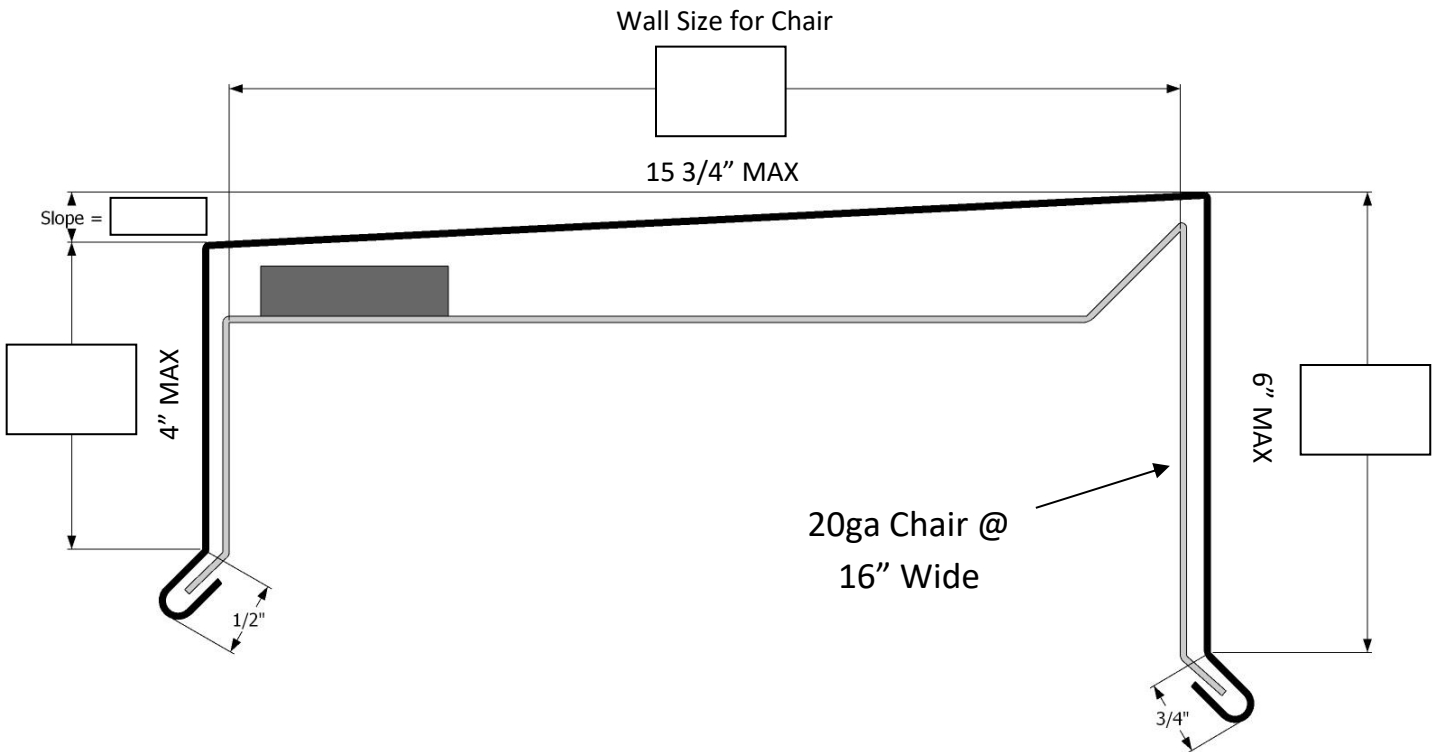
ANSI/SPRI/FM 4435/ES-1 Compliant

120 MPH Wind Warranty





SNAP ON COPING ORDER FORM



Company: _____

Material/Gauge: _____

Job Name: _____

Color: _____

Lineal Feet: _____

Manufacturer: _____

End Caps: R(____) L(____)

Miters: ISC _____ OSC _____